



Access Control System
...Powerful And Cost Effective
<http://www.acs-access.com>

ACS-02E-S

Standalone Time Recording and Access Control Panel



Features :

Standalone Operation :

The ACS-02E-S has a memory module which enables validation of users and grants or denies access. Two relay outputs and two optocouplers provide complete supervision of the door.

Choice of Card Readers :

Support Magnetic Stripe (ABA Track II) & Proximity (Wiegand 26 bit) Readers.

IN reader :

can be using LED Indication lamp with keypad.

OUT reader :

only using LED indication lamp without keypad.

Access Ways :

- *Card Only
- *Card + PIN
- *PIN Only
- *Anti-Passback

Large Capacity :

16,000 cardholders & events memory Capacity.

Controlled Time of Access :

- *9 (8 programmable + 1 pre-set)
- *8 daily schedules (7 weekdays + 1 holiday)

Controlled Time of Enter Password :

- *3 (2 programmable + 1 pre-set)
- *8 daily schedules (7 weekdays + 1 holiday)

3 types of cardholder authority level :

- 1 - Access door only
- 2 - Access door & turn ON AUX relay
- 3 - Access door, turn ON / OFF AUX relay

Secure :

- *Selectable door release time.
- *Sensor input for door monitoring.
- *Auxiliary relay output for programmable or manual control.
- *Alarm relay output for duress alarm, door held alarm and force open alarm.

INTRODUCTION

The ACS-02E-S is a powerful and cost-effective standalone single door Time Recording and Access Control System. It is a powerful software based time recording, access control and integrated security system designed to meet the most demanding access control and point monitoring applications. Programming the system is done from a cost effective IBM compatible microcomputer. Cards can added or deleted in seconds. All events can be archived for future reference and report generation.

For stand alone system, the reader can be containing an backlit LCD display and a 16 keys keypad for PIN access functions and support 2 readers one of coming into the secure area and one for going out of the secure area.

For PC network system, RS485 and communication convertor can be centralized control and supervision, a maximum of 128 sets of ACS-02E-S can be linked up to a IBM compatible PC via direct hard wires or dial up phone modem which runs the ACS software. In addition, the ACS-02E provides a door sensor and general purpose output which can be easily controlled by user.

Proximity Reader

The Proximity Reader combines the convenience and high reliability of proximity technology with the advance electronics and stylish packaging of the ACS-02E-S Series Card Reader. A variety of access credentials are supported depending on your needs, including support for photo identification badges and combination technology. Read Range : 2" to 3"(50 to 75 mm)

Keypad

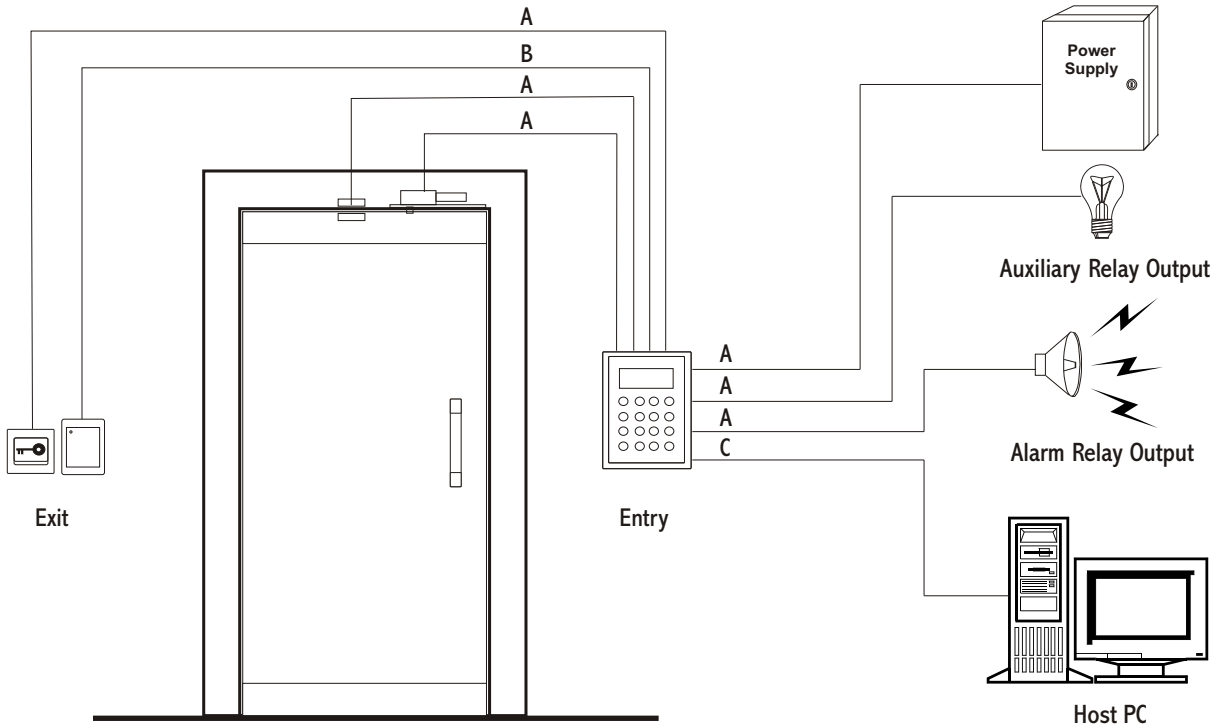
The 16 button keypad can be combined with any card reader technology for entering Personal Identification Numbers (PIN). The keypad is made of weather resistant material and responds a key depression with an audible signal when programmed through the host.

LCD Display

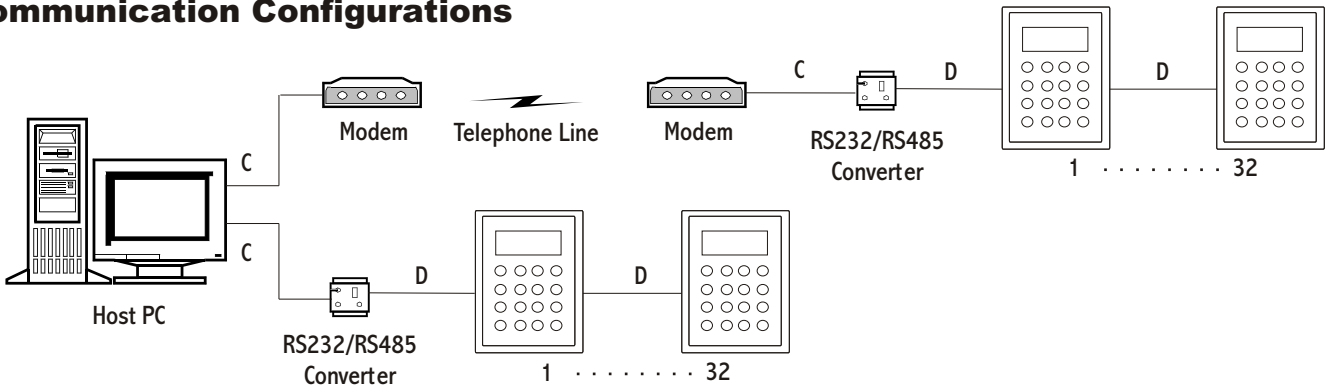
The LCD display is an backlit text display which is available to the ACS-02E-S Series Card Readers. It provides card holders with visual feedback and prompts, such as Access Granted or Enter PIN. It can also display custom messages from the host. The display consists of 4 lines of 20 characters. The LCD Display is designed for use with reader that have a keypad and is not recommended for use in harsh temperatures.

ACS-02E-S Time Recording & Access Control Panel

Wiring Configurations



Communication Configurations



Specification

Input / Output Capacities :

- 1 x OUT Reader
- 1 x Electric Door Lock Output
- 1 x Auxiliary Relay Output
- 1 x Alarm Relay Output
- 1 x Parallel Printer Port
- 1 x Door Release Button Input
- 1 x Door Sensor Input
- 1 x RS232 Communication Port
- 1 x RS485 Communication Port

Memory Capacities :

- 16,000 - cardholders & events
- 3 - Cardholders Authority Level
- 9 - Access Time Zone
- 3 - PIN Entry Time Zone
- 100 - Holidays
- 28 - Programmable Time Setting

CPU - 8031

Clock & data memory backup battery :
- Backup for 1 week during power failure

Communication Interface :

- RS232 or RS485 (converter type)

Data Transfer Rate : 9,600 bps

Input Voltage : 12V AC/ DC

Power Consumption

- Approx. 0.8A - 12V AC / DC

Temperature : - 0 ~ 50 degree Celsius

Humidity : - 20% ~ 80% RH

Wire Label	From	To	Function	Gauge (AWG)	No. of Pair	Shielded	Max. Length (M)
A	ACS-02E-S I/O Device	Control	Control	24	1	Yes	150
B	ACS-02E-S Reader	Reader Comm.	Reader Comm.	24	4	Yes	150
C	ACS-02E-S PC	RS232 Comm.	RS232 Comm.	24	2	Yes	16
D	ACS-02E-S PC	RS485 Comm.	RS485 Comm.	24/22	2	Yes	1,200